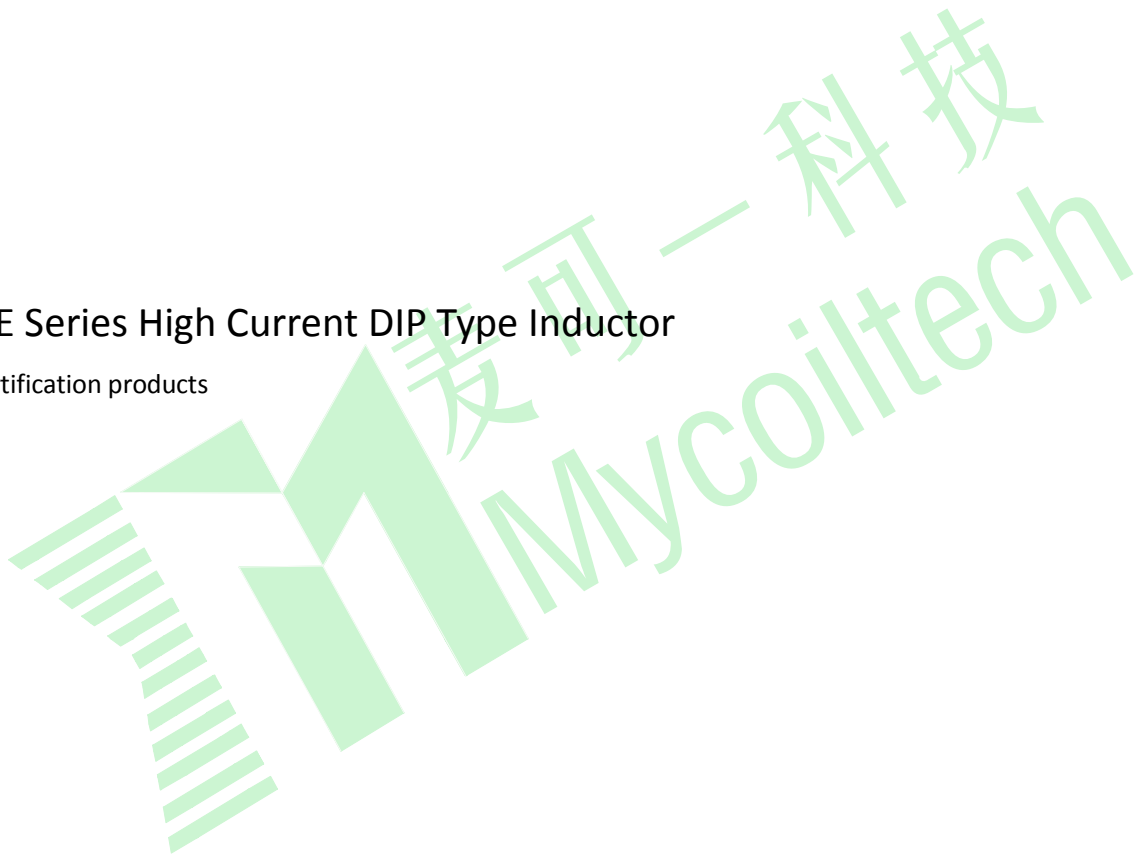


## MCTLE Series High Current DIP Type Inductor

RoHS Certification products



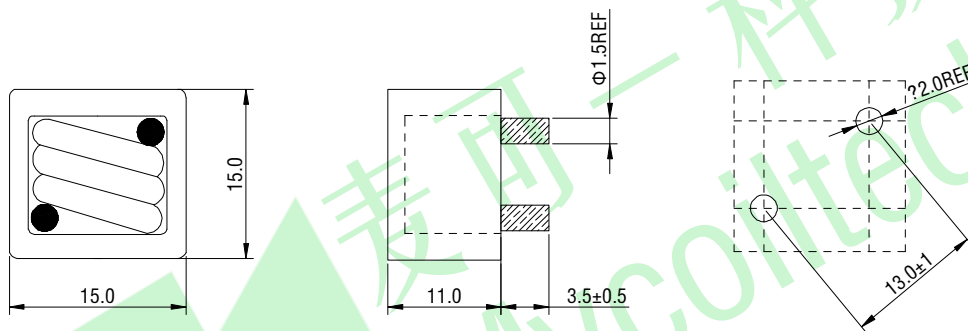
**Features**

- ❖ Ultra low cost.
- ❖ Shielded construction.
- ❖ High frequency range up to 1.0 MHz.
- ❖ Very low DC resistance.
- ❖ Customized.
- ❖ All lead-free. (RoHS).

**Applications**

- ❖ Motherboards for laptop and desktop computers.
- ❖ DC/DC converter in distributed power systems or
- ❖ Inductor for general purpose use.

**Mechanical dimension: Unit: mm**



**Electrical Characteristics:**

| MCT PN    | L(0A)<br>uH ± 20% | DCR (mΩ)<br>max | L (rms)<br>uH ± 20% | I <sub>rms</sub><br>A | I <sub>sat</sub><br>A | E        | F   |
|-----------|-------------------|-----------------|---------------------|-----------------------|-----------------------|----------|-----|
| MCTLER42M | 0.42              | 0.90            | 0.42                | 20                    | 32                    | 13.0 ± 1 | 2.0 |

Note:

- ❖ L0 test condition:100KHz/1.0Vrms, 0ADC
- ❖ Inductance at IDC is a typical value for the component taken at IDC
- ❖ Heating current will cause an approximate ΔT of 40° C without core loss
- ❖ Saturation current that will cause L0 approximate 20% rolloff with 25° C ambient temperature
- ❖ Testing ambient temperature is referenced to 25° C
- ❖ Operating temperature range -40° C~+120° C